



gypsemna

METAL PROFILES BY **RONDO**

Suspension Rod Angle Bracket Technical Datasheet

Description

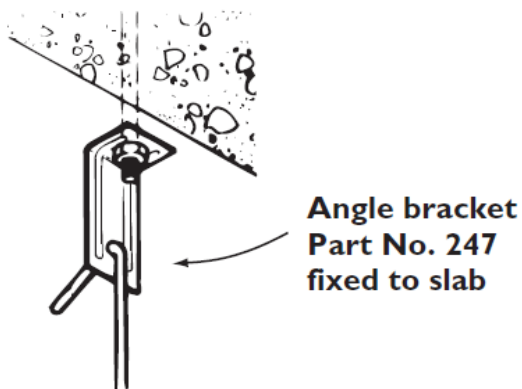
Suspension Rod Angle Brackets are attached to the slab of the ceiling from one side and to the Suspension Rods from the other side.

Primary Data

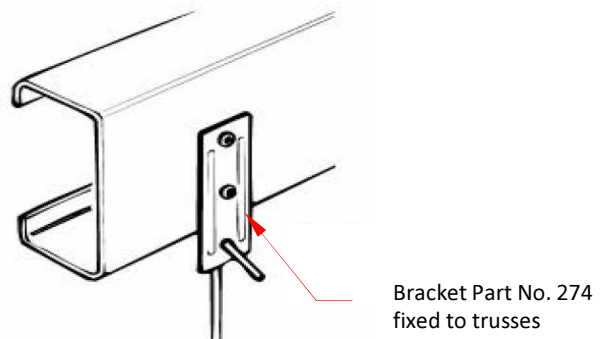
Drywall Product	Suspension Rod Angle Bracket
Drywall System	Applicable for Keylock Ceiling System
Coating	AZ150 Zinc- Aluminium Alloy
Steel Grade	G300 Min. Yield Strength: 300 Mpa Min. Tensile Strength: 340 Mpa
Material	Galvanized Steel

Technical Data

Part No.	Thickness (mm)	Mass (Kg)
247	1.25	0.018
274	1.25	0.018



Typical Application



Typical Application