



Direct Fixing Clip (Beta Fix) Technical Datasheet

Description

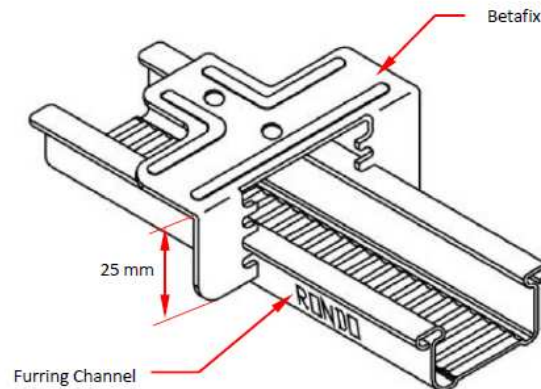
The Adjustable Direct Fixing Clips - Betafix is used as a direct fixing of furring channels and battens to either concrete, steel or timber wall or ceiling structures. These clips need to be fixed along the sections in accordance with the relevant maximum span tables. Masonry fasteners should be selected in accordance to specific recommendations.

Primary Data

Drywall Product	Direct Fixing Clip (Beta Fix0)
Drywall System	Applicable for Keylock Ceiling System
Coating	Z180 Zinc Coating
Steel Grade	G2 Min. Yield Strength: 270 Mpa Min. Tensile Strength: 330 Mpa
Material	Galvanized Steel

Technical Data

Part No.	Thickness (mm)	Mass (Kg)
Betafix	1.55	0.038



BETAFIX