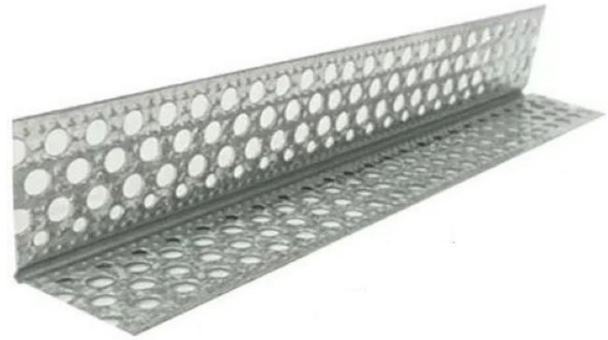




GYPSEMNA CORNER BEAD EXTERNAL

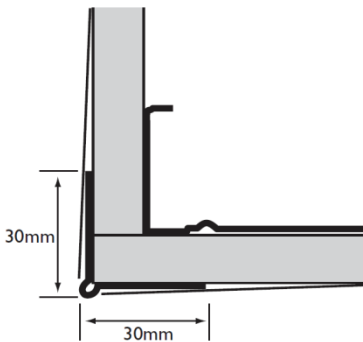
FIXING COMPONENTS
METAL PROFILES



■ DESCRIPTION

Gypsemna perforated 90° corner bead used to reinforce and protect external corners of gypsum board walls and ceilings systems. Manufactured with expanded metal wings to allow jointing compound to penetrate through and behind the bead, ensuring secure mechanical keying and firm bonding to the board.

Sectional Profile



■ TECHNICAL DATA

PHYSICAL PROPERTIES

Coating	Z120 Zinc coated
Standard compliance	ASTM C1047
Material	Galvanized Steel
Steel grade	G300 minimum Yield Strength: 300 MPa minimum Tensile Strength: 340 MPa
Length	3000mm

Type	Dimension (mm)	Length (mm)	Thickness (mm)
Perforated 90°	30 X 30	3000	0.45