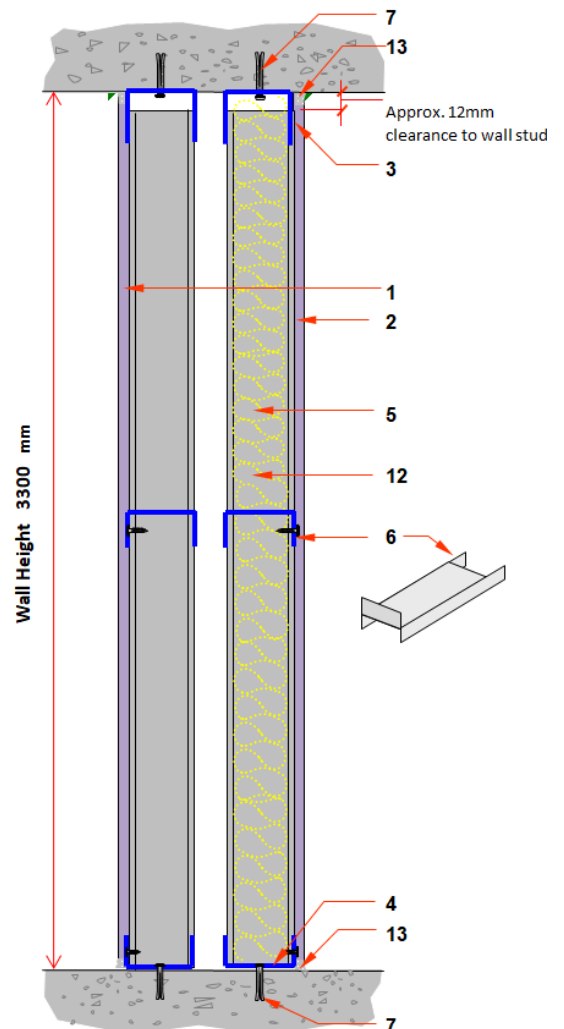
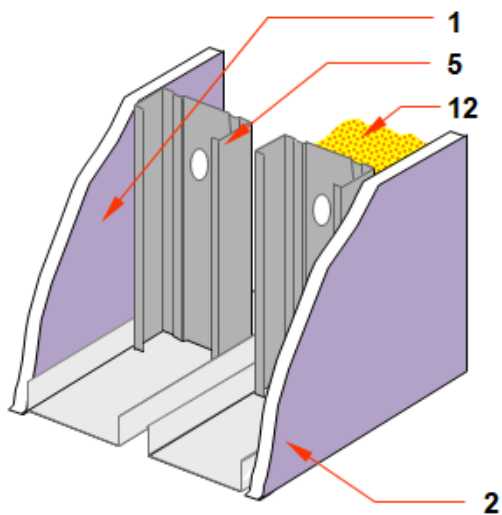


# 3.3 Chase Wall

GICWIRG-125A1a

«Chase Wall – 1 x 12.5 MRSP on each side of a 50 Twin UC Frame»

SYSTEM COMPONENTS		DETAILS
1	12.5 mm Gypsemna Moisture Resistant Sound Protect board	One Board on Left Side
2	12.5 mm Gypsemna Moisture Resistant Sound Protect board	One Board on Right Side
3	Gyp 52 mm x 50 mm x 0.60 mm Deflection Head Track x2	As Top Track
4	Gyp 52 mm x 0.60 mm Wall Track x2	As Bottom Track
5	Gyp 50 mm x 0.60 mm Wall Stud - 3.0 m spaced at	600 mm centers
6	Gyp 52 mm x 0.60 mm Wall Track x2	As Nogging
7	Wedge Anchor - 6 x 40 mm spaced at	600 mm centers
8	Wafer head Screw M4.2 x 13 mm	Metal to Metal Fixing
9	Self-Tapping Screw M3.5 x 25 mm	For Board Fixing
10	Jointing Tape - Fibre	For Joint Finishing
11	JC 100 - Jointing Compound	For Joint Finishing
12	Gypsemna Audio Insul 50 mm thick - 12 kg/m <sup>3</sup>	Thermal & Acoustic Insulation
13	Smoke and Acoustic Sealant Sausage - CP 506	8 mm Bead Perimeter Joints



Note:

1. For a fire-rated system, install flat strap at outer horizontal board joints and 100 mm below top track.
2. Filling the void with acoustic insulation will enhance acoustic performance of the partition.
3. Sealing the perimeter with fire and acoustic sealant provides the necessary air-tightness for acoustic and fire protection.

[www.gypsemna.com](http://www.gypsemna.com)