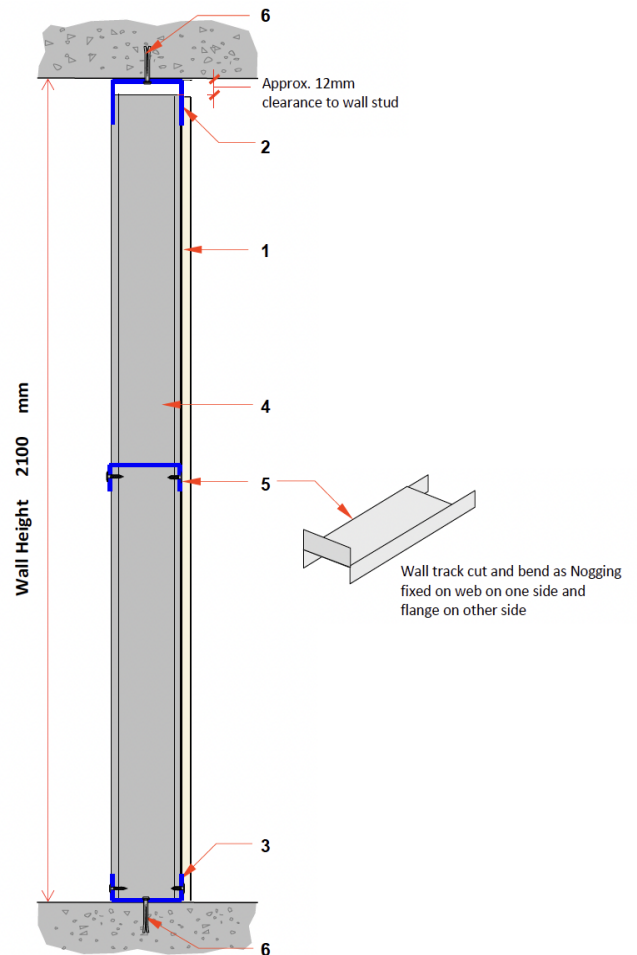
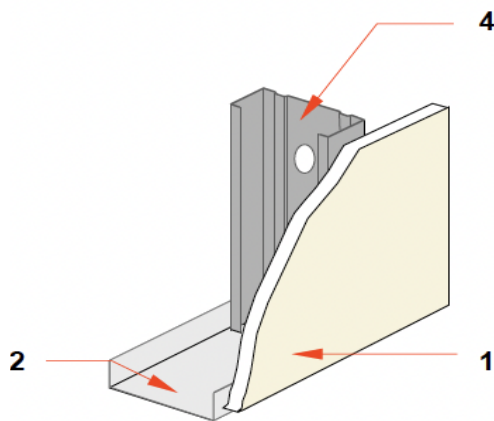


3.5 Wall Lining

GILIRG125-A1a

«Independent Wall Liner – 1 x 12.5 RG on one side of a 50 UC Frame»

SYSTEM COMPONENTS		DETAILS
1	12.5 mm Gypsemna Regular Gypsum Board	Board on one side
2	Gyp 52 mm x 50 mm x 0.60 mm Deflection HeadTrack	As Top Track
3	Gyp 52 mm x 0.50 mm Wall Track	As Bottom Track
4	Gyp 50 mm x 0.50 mm Wall Stud - 3.0m	600 mm spacing
5	Gyp 52 mm x 0.50 mm Wall Track	As Nogging at Mid Span
6	Wedge Anchor - 6 x 40 mm	600 mm centers
7	Wafer head screw M4.2 x13 mm	Metal to Metal Fixing
8	Self-Tapping Screw M3.5 x 25mm	For Board Fixing
9	Jointing Tape - Fibre	For Joint Finishing
10	JC100 - Jointing Compound	For Joint Finishing



Note:

1. For a fire-rated system, install flat strap at outer horizontal board joints and 100 mm below top track.
2. Filling the void with acoustic insulation will enhance acoustic performance of the partition.
3. Sealing the perimeter with fire and acoustic sealant provides the necessary air-tightness for acoustic and fire protection.