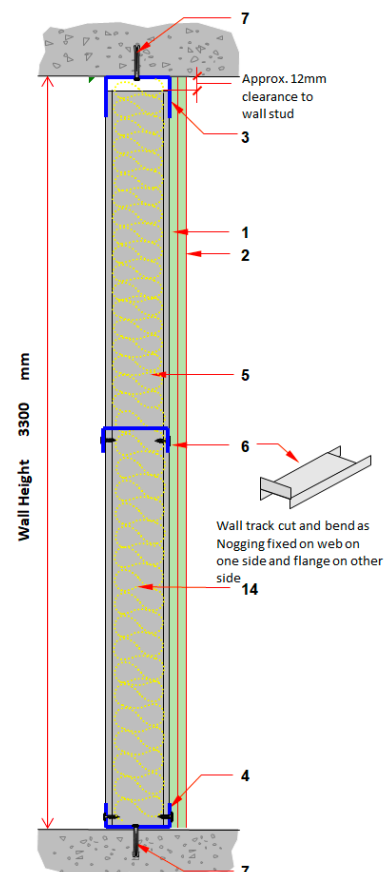
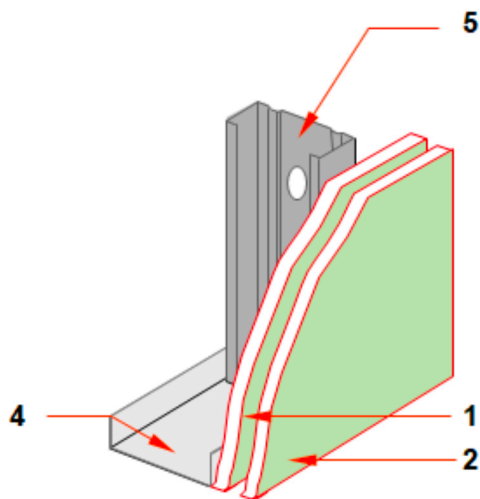


3.5 Wall Lining

GIL2RG125-A1a

«Independent Wall Liner – 2 x 12.5MRFW on one side of a 50 UC Frame»

SYSTEM COMPONENTS		DETAILS
1	12.5mm Gypsemna Moisture Resistant Firewall Board	1 Layer on RS
2	12.5mm Gypsemna Moisture Resistant Firewall Board	2 Layer on RS
3	Gyp 52 mm x 50 mm x 0.60 mm Deflection Head Track	As Top Track
4	Gyp 52 mm x 0.50mm Wall Track	As Bottom Track
5	Gyp 50 mm x 0.50mm Wall Stud - 3.0m	600 mm spacing
6	Gyp 52 mm x 0.50mm Wall Track	As Nogging at Mid Span
7	Wedge Anchor - 6 x 40 mm	600 mm centers
8	Waferhead screw M4.2 x 13mm	Metal to Metal Fixing
9	Self Tapping Screw M3.5 x 25 mm	For Board Fixing
10	Self Tapping Screw M3.5 x 45 mm	For Board Finishing
11	Jointing Tape - Fibre	For Joint Finishing
12	JC100- Jointing Compound	For Joint Finishing
13	Smoke and acoustic sealant sausage - CP 506	8mm bead perimeter joints
14	Glasswool 50mm thick - 24kg/m3	



Note:

1. For a fire-rated system, install flat strap at outer horizontal board joints and 100mm below top track.
2. Filling the void with acoustic insulation will enhance acoustic performance of the partition.
3. Sealing the perimeter with fire and acoustic sealant provides the necessary air-tightness for acoustic and fire protection.