



**GYPSEMNA**  
**DOUBLE SPRING**  
**CLIP**  
**GRID CEILING**  
**SYSTEM**

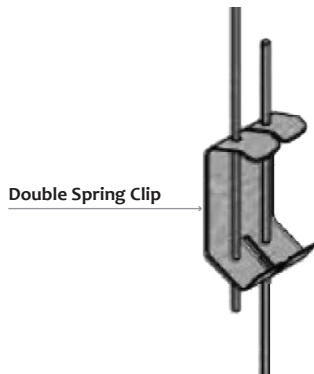


## ■ DESCRIPTION

The Adjustable Double Spring Clip are a component of the T24 Grid Ceiling System. The one Suspension Rod Connected to the eye hole Anchor to Clip and other Rod connected to the Main tee to Clip, hence both the rods connected to the double spring clip to be adjusted in accordance with your preferred height. This double spring clip is specially designed and manufactured in order to hang the primary section (Main Tee) to the ceiling.

## ■ BASIC USES

Applicable for T24 Grid Ceiling System as Adjustable Double Spring Clip.



## ■ TECHNICAL DATA

### PHYSICAL PROPERTIES

|           |                                       |
|-----------|---------------------------------------|
| Coating   | Black Phosphated/ Blackodised/ Plated |
| Material  | Spring Steel                          |
| Thickness | 0.3 mm                                |
| Width     | 30mm                                  |
| Height    | 57mm                                  |

## ■ ADVANTAGES

- Consistently high quality.